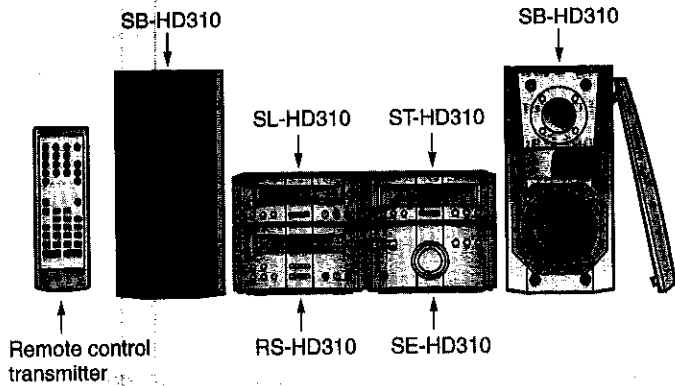


Service Manual

Amplifier



SE-HD310

Colour

(N).....Gold Type

Areas

E.....Spain and Sweden, etc..

EB.....Great Britain.

EG.....Europe.

System: SC-HD310

Because of unique interconnecting cables, when a compact requires service, send or bring in the entire system.

Specification

●Amplifier Section

Power output

DIN 1 kHz, THD 1%, 6Ω both chan driven:

RMS 1 kHz, THD 10%, 6Ω both chan driven:

Total harmonic distortion

Half power at 1 kHz 6Ω:

Load impedance:

S/N:

Frequency response:

50-20000Hz
(+1dB, -3dB)



●Headphones

Jack type:

3.5mm STEREO

Load impedance:

16-32Ω

 KRCB	Door No. 3	 511
	Drop No. 0	
Customer: TECHNICA42		67W Normal:9W Eco:0.8W AC230V,50Hz AC230-240V,50Hz 196x105.8x259.9mm .8kg
Load: SPOWE1		
Model:AD0001018CZ	Qty:1	
Assemble at: 60	05/07/00	

- 1.Design and specifications are subject to change without notice.
- 2.Dimensions and weight are approximate.
- 3.Total harmonic distortion is measured by the digital spectrum analyzer.

●System/SC-HD310:

Tuner:ST-HD310, Compact Disc Player: SL-HD310, Amplifier: SE-HD310, Cassette Deck: RS-HD310, Speakers: SB-HD310
(Made in MAES.)

⚠ WARNING

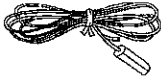
This service information is designed for experienced repair technicians only and is not designed for use by the general public. It does not contain warnings or cautions to advise non-technical individuals of potential dangers in attempting to service a product. Products powered by electricity should be serviced or repaired only by experienced professional technicians. Any attempt to service or repair the product or products dealt with in this service information by anyone else could result in serious injury or death.

CONTENTS

	Page	Page
1 Accessories	2	
2 Before Repair and Adjustment	3	
3 About the Protection Circuitry	3	
4 Caution for AC Main Lead	4	
5 Operating Instructions	5	
6 Operation Checks and Component Replacement Procedures		
6.1. Checking for the power supply P.C.B. and speaker terminal P.C.B.	6	
6.2. Checking for the operation P.C.B.	6	
6.3. Checking for the main P.C.B.	6	
6.4. Replacement for the power IC	7	
		7 Power Source ON/OFF and Signal Check
		8
		8 Schematic Diagram Notes
		8
		8.1. Type Illustration of IC's, Transistors and Diodes
		8
		8.2. Schematic Diagram Notes
		9
		9 Schematic Diagram
		10
		10 Printed Circuit Board Diagram
		13
		11 Block Diagram
		16
		12 Wiring Connection Diagram
		17
		13 Replacement Parts List
		18
		14 Cabinet Parts Location
		21
		15 Packaging
		22

1 Accessories

- FM indoor antenna.....1pc.
(RSA0007)



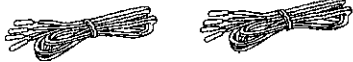
- AM loop antenna set.....1pc.
(RSA0022-J)



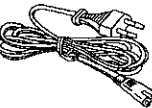
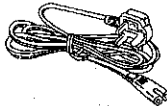
- Remote control transmitter.....1pc.
(RAK-HDA25WH)



- Speaker cord
(REE0499).....2pcs.
(Red · Black)



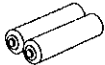
- AC power supply cord.....1pc.
For (EB) area:
(RJA0053-2X)



- Antenna plug adaptor.....1pc.
For (EB) area only
(SJP9009)



- Remote control batteries.....2pcs.
[R6/LR6(AA, UM-3)]
Note: These are available
on sales root.



2 Before Repair and Adjustment

1. Turn off the power supply. Using a 10Ω , 10W resistor, connect both ends of power supply capacitors (C102-105, 127) in order to discharge the voltage.
2. Before turning the power supply on, after completion of repair, slowly apply the primary voltage by using a power supply voltage controller to make sure that the consumed current at 50/60 Hz in NO SIGNAL mode should be shown below with respect to supply voltage 230 V/240 V.

Areas	(E) (EG)		(EB)	
Power supply voltage	AC 230V		AC 230-240V	
Consumed current	50 Hz	30-140 mA	50 Hz	30-140 mA

3 About the Protection Circuitry

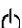

The protection circuitry may have operated if either of the following conditions is noticed:

*No sound is heard when the power is supplied.

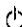
*Sound stops during a performance.

The functions of this circuitry is to prevent circuitry damage, for example, the positive and negative speaker connection wires are "shorted", or if speaker systems with an impedande less than the indicated rated impedance of this unit are used.

If this occurs, follow the procedure outlined below:

1. Press the STANDBY  /ON button, switch to STANDBY mode.
2. Determine the cause of the problem and correct it.
3. Press the STANDBY  /ON button once again, supply the power.

Note:

When the protection circuitry functions, the unit will not operate unless the STANDBY  /ON button is first switched STANDBY and then ON again.

4 Caution for AC Main Lead (For United Kingdom)

("EB" area code model only)

For your safety, please read the following text carefully.

This appliance is supplied with a moulded three pin mains plug for your safety and convenience.

A 5-ampere fuse is fitted in this plug.

Should the fuse need to be replaced please ensure that the replacement fuse has a rating of 5-ampere and that it is approved by ASTA or BSI to BS1362.

Check for the ASTA mark  or the BSI mark  on the body of the fuse.

If the plug contains a removable fuse cover you must ensure that it is refitted when the fuse is replaced.

If you lose the fuse cover the plug must not be used until a replacement cover is obtained.

A replacement fuse cover can be purchased from your local dealer.

CAUTION!

IF THE FITTED MOULDED PLUG IS UNSUITABLE FOR THE SOCKET OUTLET IN YOUR HOME THEN THE FUSE SHOULD BE REMOVED AND THE PLUG CUT OFF AND DISPOSED OF SAFELY.

THERE IS A DANGER OF SEVERE ELECTRICAL SHOCK IF THE CUT OFF PLUG IS INSERTED INTO ANY 13-AMPERE SOCKET.

If a new plug is to be fitted please observe the wiring code as shown below.

If in any doubt please consult a qualified electrician.

IMPORTANT

The wires in this mains lead are coloured in accordance with the following code:

Blue: Neutral, Brown: Live.

As these colours may not correspond with the coloured markings identifying the terminals in your plug, proceed as follows:

The wire which is coloured Blue must be connected to the terminal which is marked with the letter N or coloured Black or Blue.

The wire which is coloured Brown must be connected to the terminal which is marked with the letter L or coloured Brown or Red.

WARNING: DO NOT CONNECT EITHER WIRE TO THE EARTH TERMINAL WHICH IS MARKED WITH THE LETTER E, BY THE EARTH SYMBOL  OR COLOURED GREEN OR GREEN/YELLOW.

THIS PLUG IS NOT WATERPROOF - KEEP DRY.

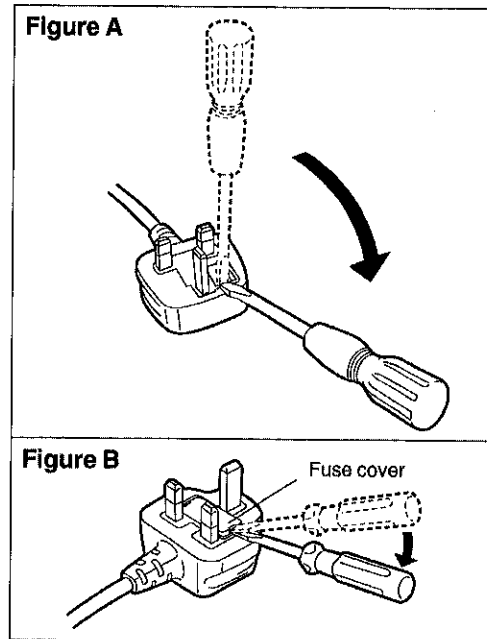
Before use

Remove the connector cover.

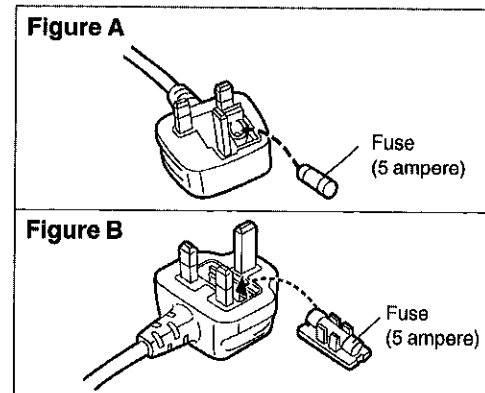
How to replace the fuse

The location of the fuse differ according to the type of AC mains plug (figures A and B). Confirm the AC mains plug fitted and follow the instructions below. Illustrations may differ from actual AC mains plug.

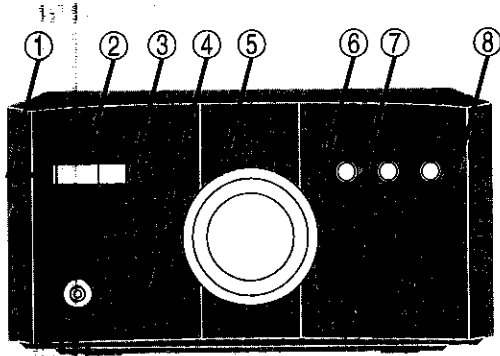
1. Open the fuse cover with a screwdriver.



2. Replace the fuse and close or attach the fuse cover.



5 Operating Instructions



Amplifier

- ① **Standby indicator**
When the unit is connected to the AC mains supply, this indicator lights up in standby mode and goes out when the unit is turned on.
- ② **Standby/on switch (⏻/⏻)**
Press to switch the unit from on to standby mode or vice versa. In standby mode, the unit is still consuming a small amount of power.
- ③ **ECO mode button (MODE)**
- ④ **Headphone jack (PHONES)**
- ⑤ **Volume control (VOLUME)**
- ⑥ **Bass button (BASS)**
- ⑦ **Treble button (TREBLE)**
- ⑧ **Input selector (INPUT SELECTOR)**

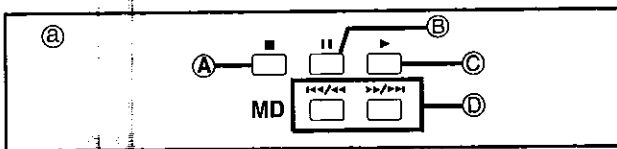
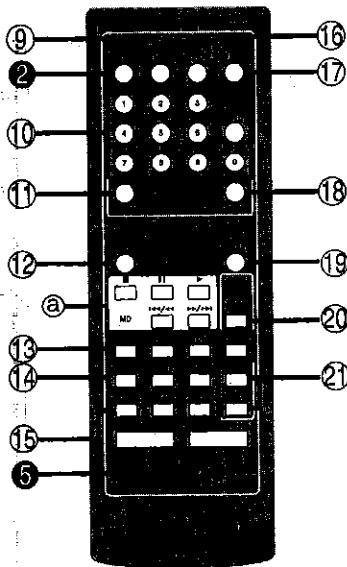
Remote control

Buttons ② and ⑤ function in the same way as the controls on the main unit.

- ⑨ **Sleep timer button (SLEEP)**
- ⑩ **Numbered buttons**
- ⑪ **Program button (PROGRAM)**
- ⑫ **Random button (RANDOM)**
- ⑬ **Input select buttons (CD, TAPE, EXT/MD, TUNER)**
- ⑭ **Basic operating buttons**
Function changes according to the source.
- ⑮ **Muting button (MUTING)**
- ⑯ **Play timer button (⌚ PLAY)**
- ⑰ **Record timer button (⌚ REC)**
- ⑱ **Cancel button (CANCEL)**
- ⑲ **Repeat button (REPEAT)**
- ⑳ **FM mode button (AUTO/MONO)**
- ㉑ **Tuning buttons (TUNE ^, TUNE v)**

MD deck operations (when connected to MD deck SJ-HDA710 (sold separately)) ①

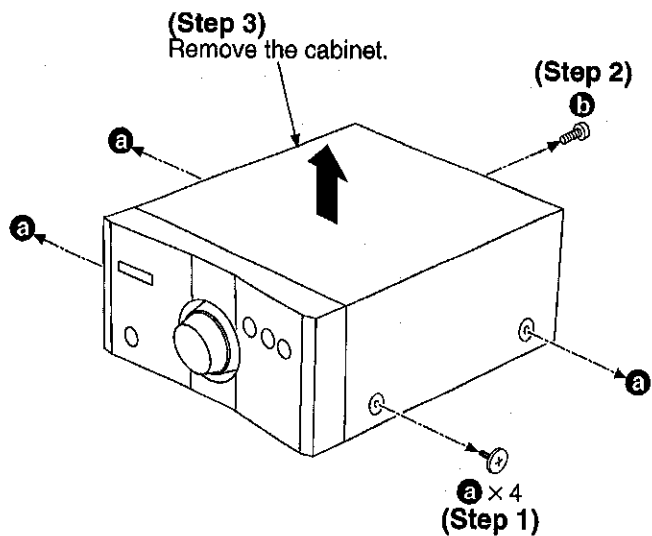
- Ⓐ **Stop button (■)**
- Ⓑ **Pause button (⏸)**
- Ⓒ **Play button (▶)**
- Ⓓ **Skip/search buttons (◀◀/▶▶)**



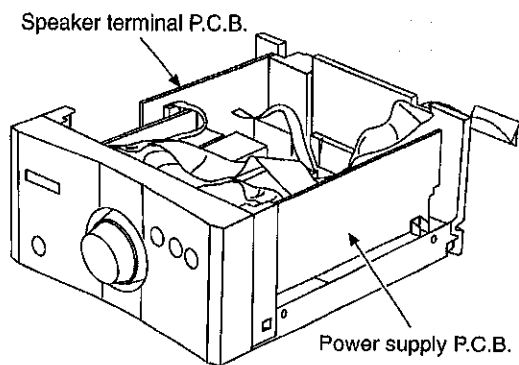
6 Operation Checks and Component Replacement Procedures

- This section describes procedures for checking the operation of the major printed circuit boards and replacing the main components.
- For reassembly after operation checks or replacement, reverse the respective procedures. Special reassembly procedures are described only when required.

6.1. Checking for the power supply P.C.B. and speaker terminal P.C.B.

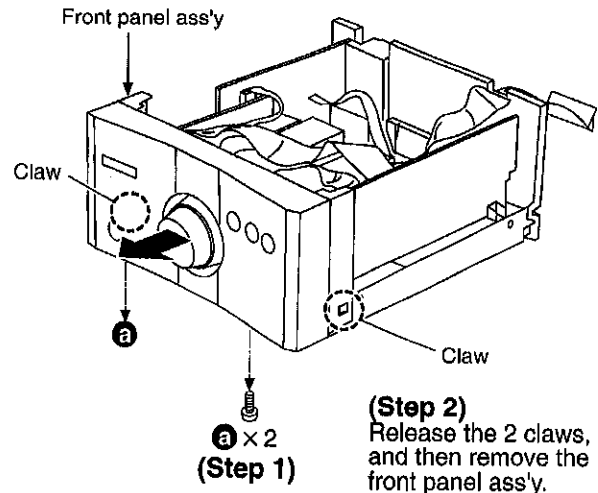


- Check the power supply P.C.B. and speaker terminal P.C.B. as shown below.

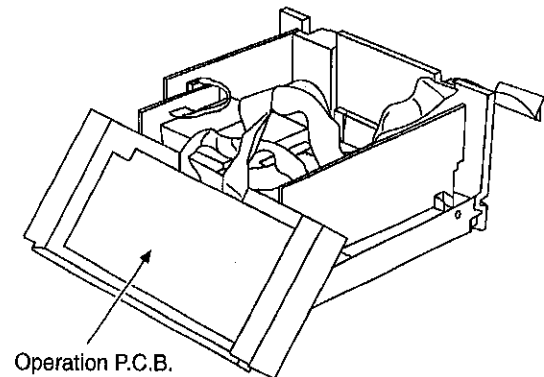


6.2. Checking for the operation P.C.B.

- Follow the (Step 1) - (Step 3) of item 6.1.

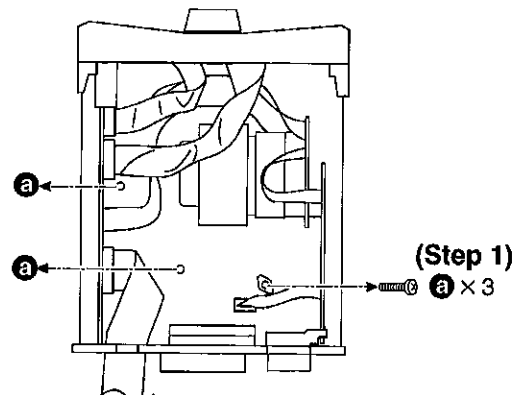


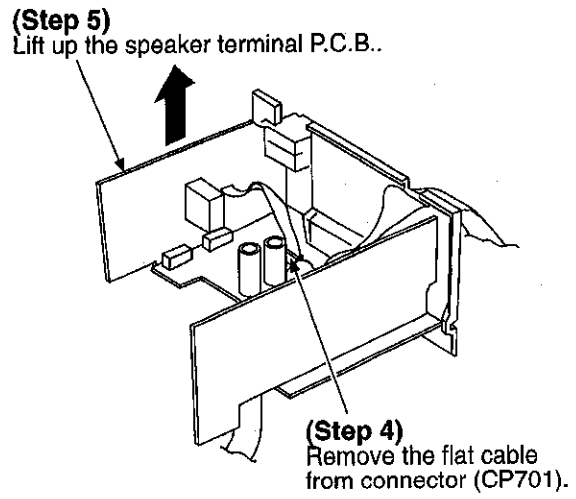
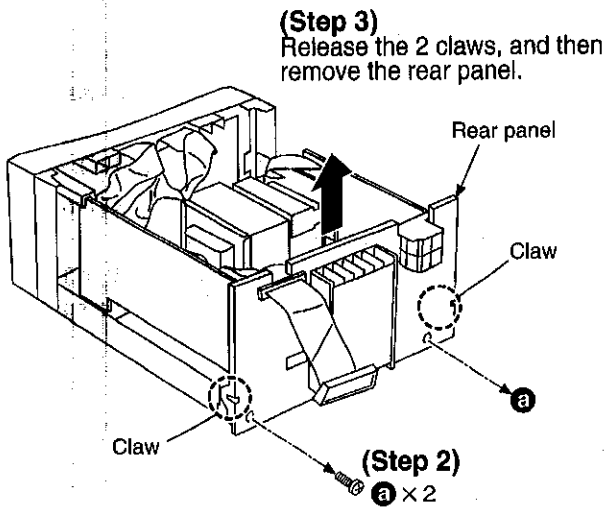
- Check the operation P.C.B. as shown below.



6.3. Checking for the main P.C.B.

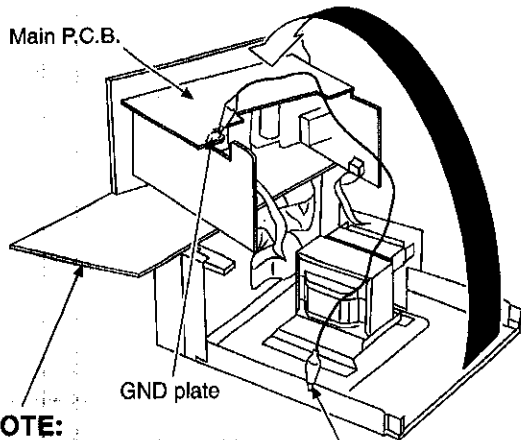
- Follow the (Step 1) - (Step 3) of item 6.1.





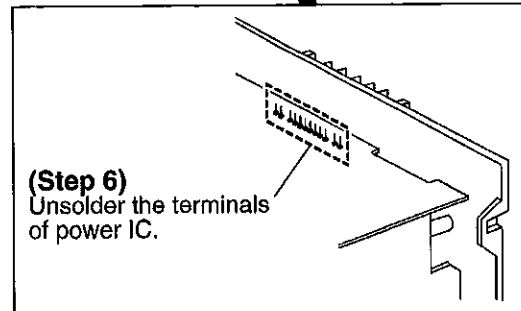
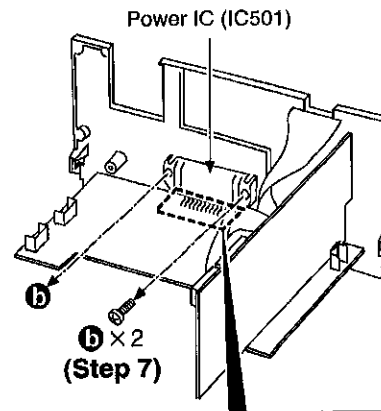
• Check the main P.C.B. as shown below.

(Step 4)
Turn the rear panel, power supply P.C.B. and main P.C.B., and then put on the them to front panel ass'y.



NOTE:
Insulate main P.C.B. with insulation material to avoid short-circuit.

(Step 5)
Connect the lead wire.

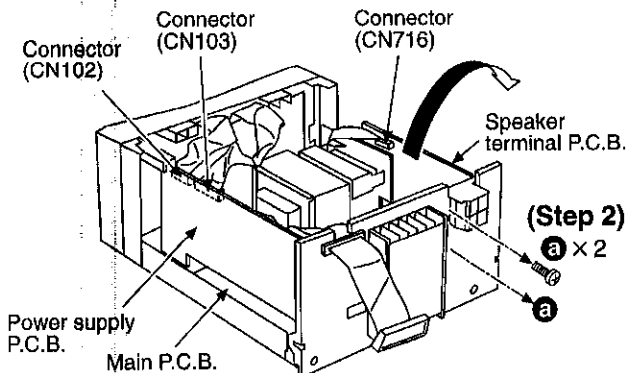


NOTE:
When mounting the power IC apply silicone compound (RFKX0002) to the rear side of power IC.

6.4. Replacement for the power IC

- Follow the (Step 1) - (Step 3) of item 6.1.
- Follow the (Step 1) - (Step 3) of item 6.3.

(Step 1)
Remove the 3 connectors.



(Step 3)
Remove the rear panel, power supply P.C.B. and main P.C.B. in the direction of arrow.

7 Power Source ON/OFF and Signal Check

To operate this unit SE-HD310 normally, it is necessary for connecting with the unit ST-HD310.

When operating the unit SE-HD310, be sure to connect the unit ST-HD505 by connection cable.

1. Connect with the Tuner (ST-HD310). (As shown in Fig. 1)
2. Connect the AC mains lead to Amplifier (SE-HD310). (As shown in Fig. 1)

3. Connect the speakers to speaker terminal. (As shown in Fig. 1)
4. Turn on the power of the Amplifier (SE-HD310).
5. Press INPUT SELECTOR to select the external source (EXT/MD) of the Amplifier (SE-HD310).
6. Input a sound signal to external input terminal of Tuner (ST-HD310), and confirm to be outputted from the speaker.

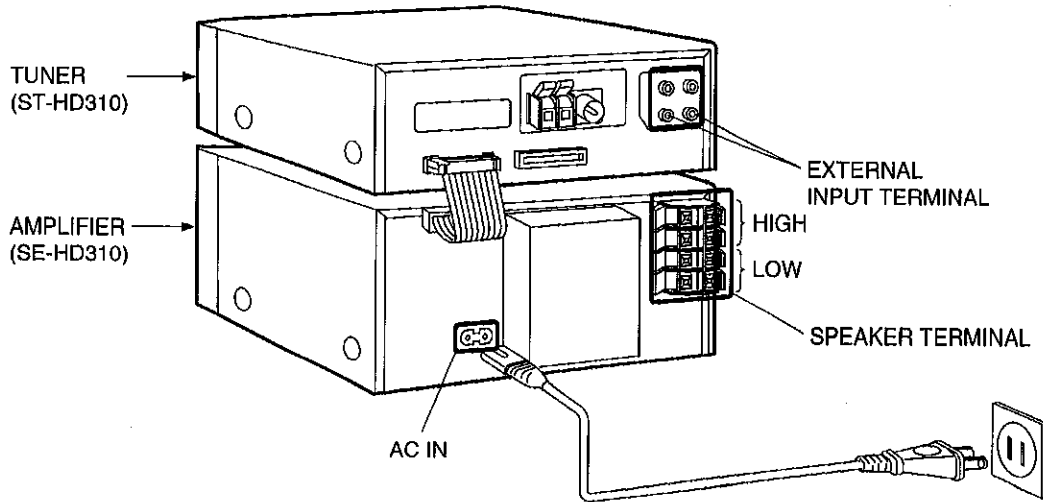


Fig. 1

8 Schematic Diagram Notes



8.1. Type Illustration of IC's, Transistors and Diodes

<p>M5218AFPE3</p>	<p>RSN35H1</p>	<p>2SB621AQRSTA</p>	<p>2SA1309ATA 2SC3311ATA UN4115TA</p>	<p>2SC3940AQSTA</p>
<p>2SD2374PQAU</p>	<p>2SD2144STA</p>	<p>1N5402BM21 RL1N4003N02</p>	<p>MA165TA</p>	<p>MA4051MTA MA4062MTA MTZJ7R5CTA</p>
<p>MA4110MTA MA4150MTA MA4160MTA MA4240MTA</p>	<p>SLR-325VC</p>			

8.2. Schematic Diagram Notes


- This schematic diagram may be modified at any time with the development of new technology.

Notes:

- **S301:** Power "STANDBY  / ON ( / I) " switch in "ON" position.
- **S302:** Eco mode (MODE) switch in "OFF" position.
- **S303:** Input selector (INPUT SELECTER) switch.
- **S304:** Treble (TREBLE) switch .
- **S305:** Bass (BASS) switch.
- **VR301:** Volume V.R.
- Indicated voltage values are the standard values for the unit measured by the DC electronic circuit tester (high-impedance) with the chassis taken as standard. Therefore, there may exist some errors in the voltage values, depending on the internal impedance of the DC circuit tester.

No mark: Power ON

- Important safety notice:

Components identified by  mark have special characteristics important for safety.

Furthermore, special parts which have purposes of fire-retardant (resistors), high-quality sound (capacitors), low-noise (resistors), etc. are used.

When replacing any of components, be sure to use only manufacture's specified parts shown in the parts list.

- **Caution!**

IC and LSI are sensitive to static electricity.

Secondary trouble can be prevented by taking care during repair.

Cover the parts boxes made of plastics with aluminum foil.

Ground the soldering iron.

Put a conductive mat on the work table.

Do not touch the legs of IC or LSI with the fingers directly.

- **Voltage and signal lines**

 : Positive voltage line

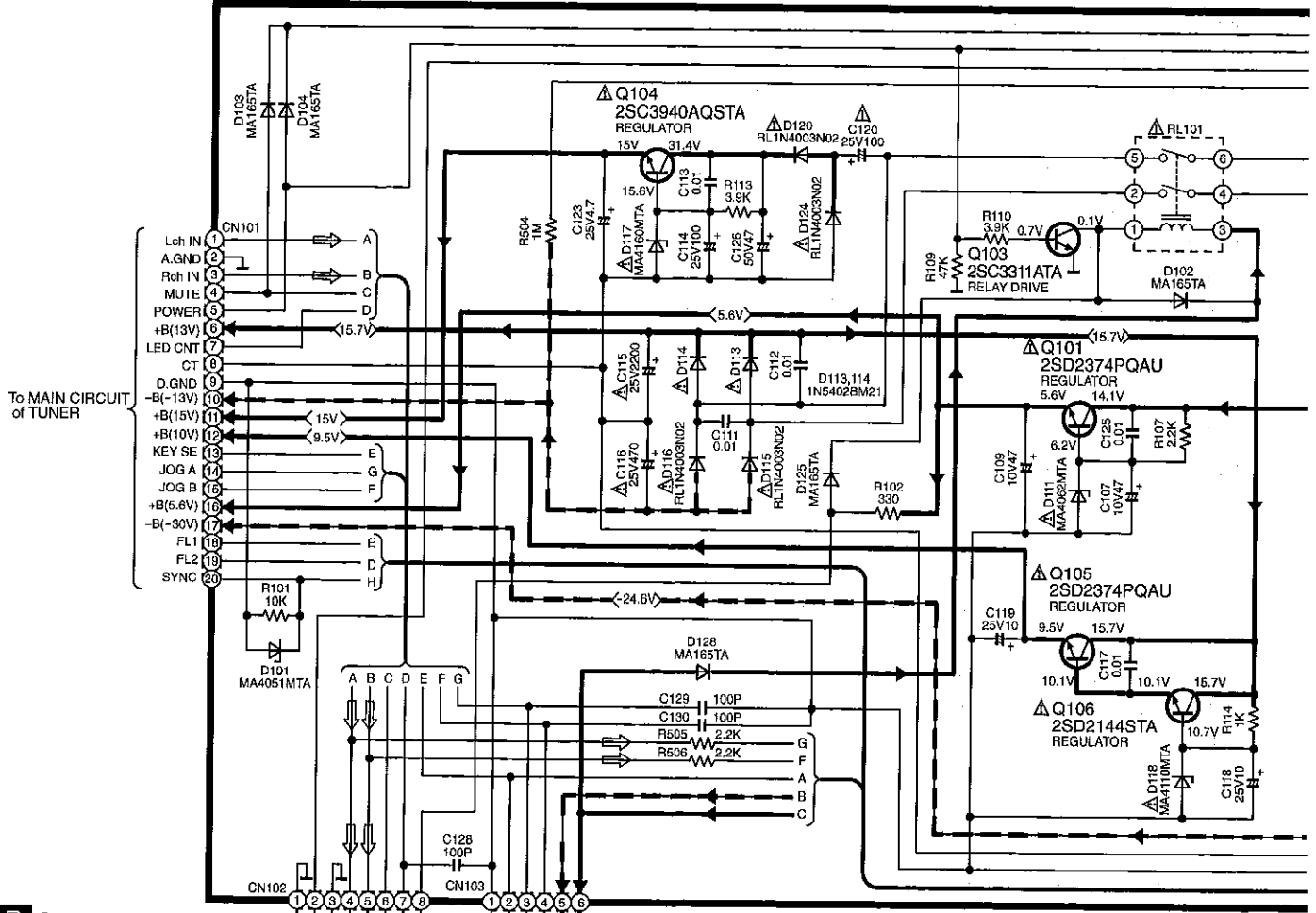
 : Negative voltage line

 : Source signal line

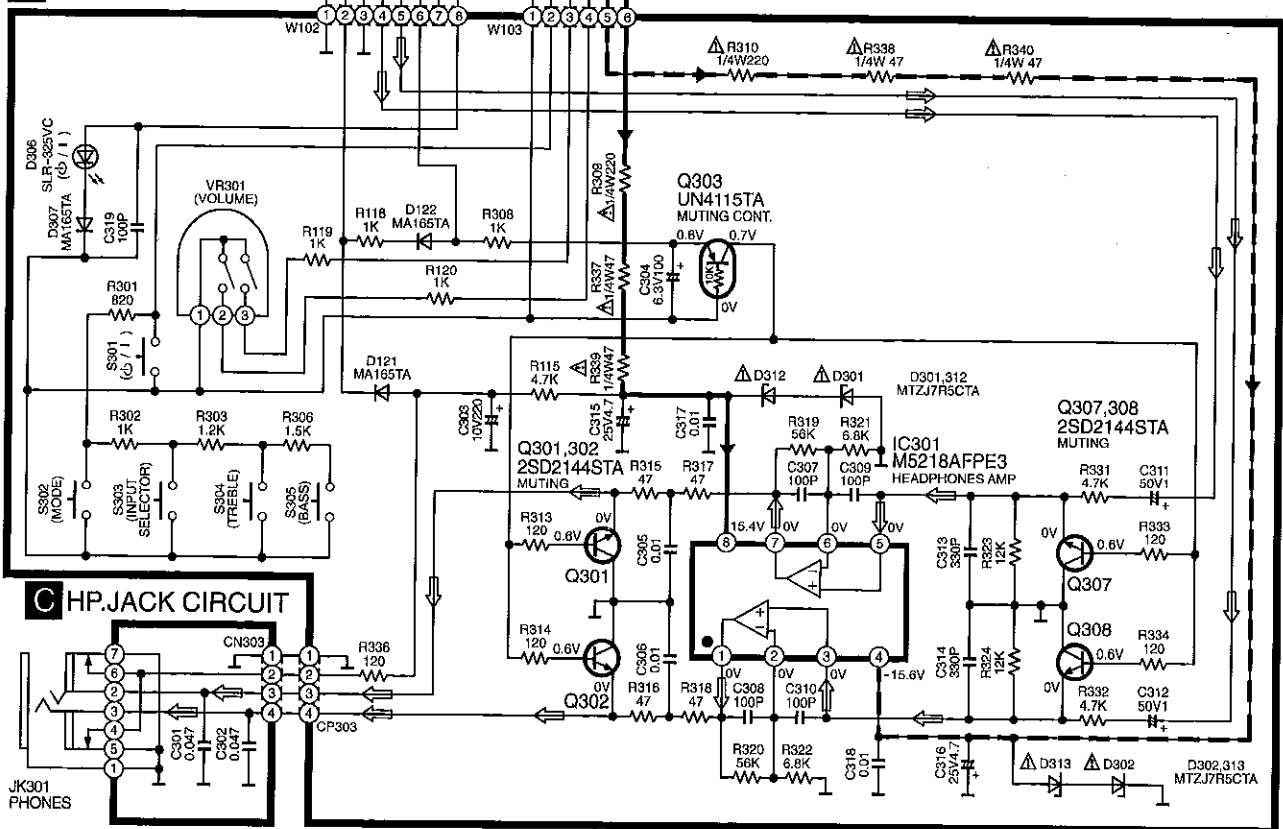
9 Schematic Diagram

A POWER SUPPLY CIRCUIT

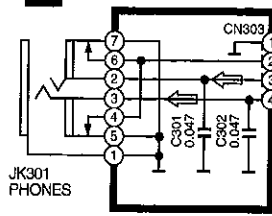
→ : POSITIVE VOLTAGE LINE
 - - - : NEGATIVE VOLTAGE LINE
 ⇨ : SOURCE SIGNAL LINE



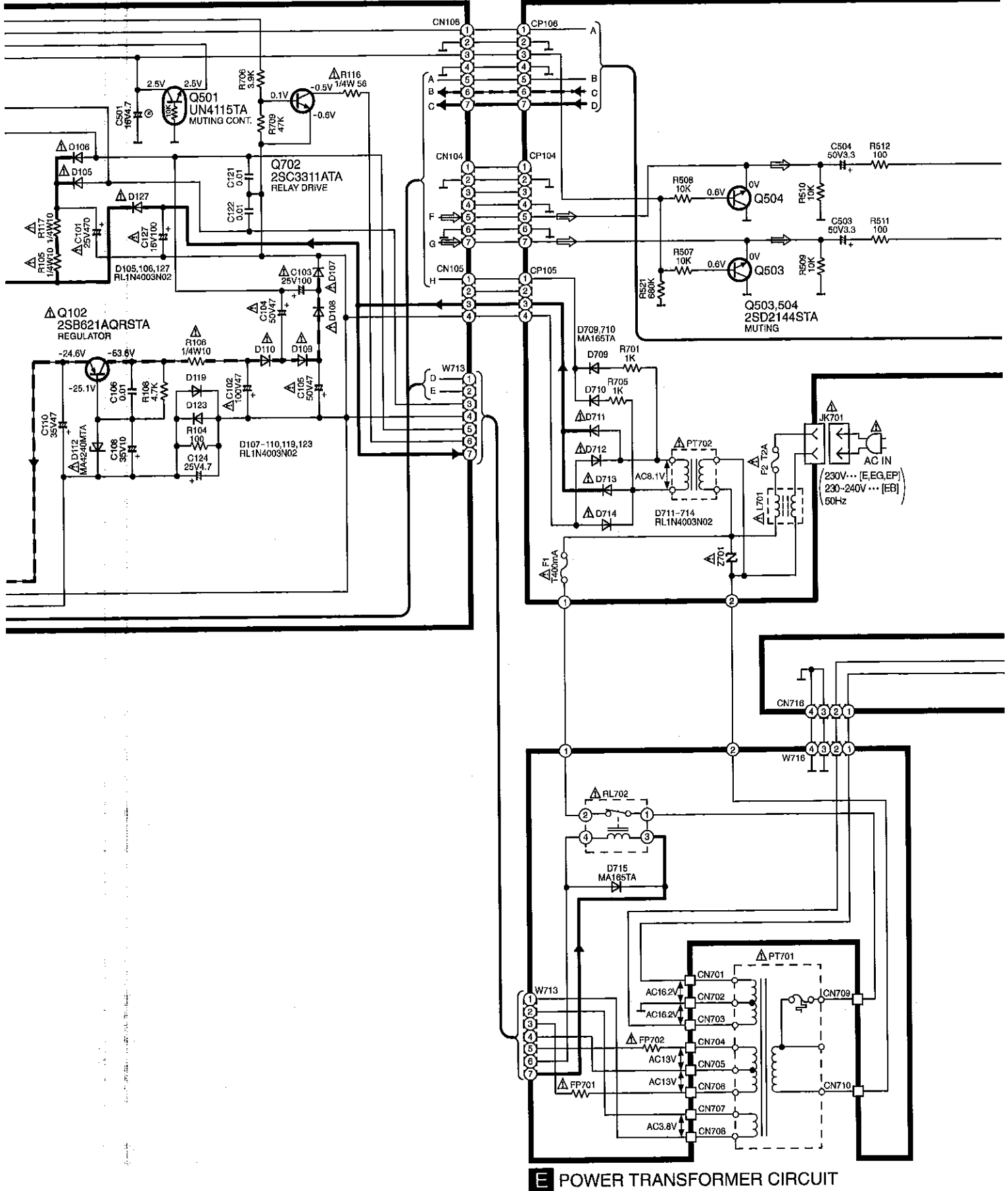
B OPERATION CIRCUIT



C HP JACK CIRCUIT



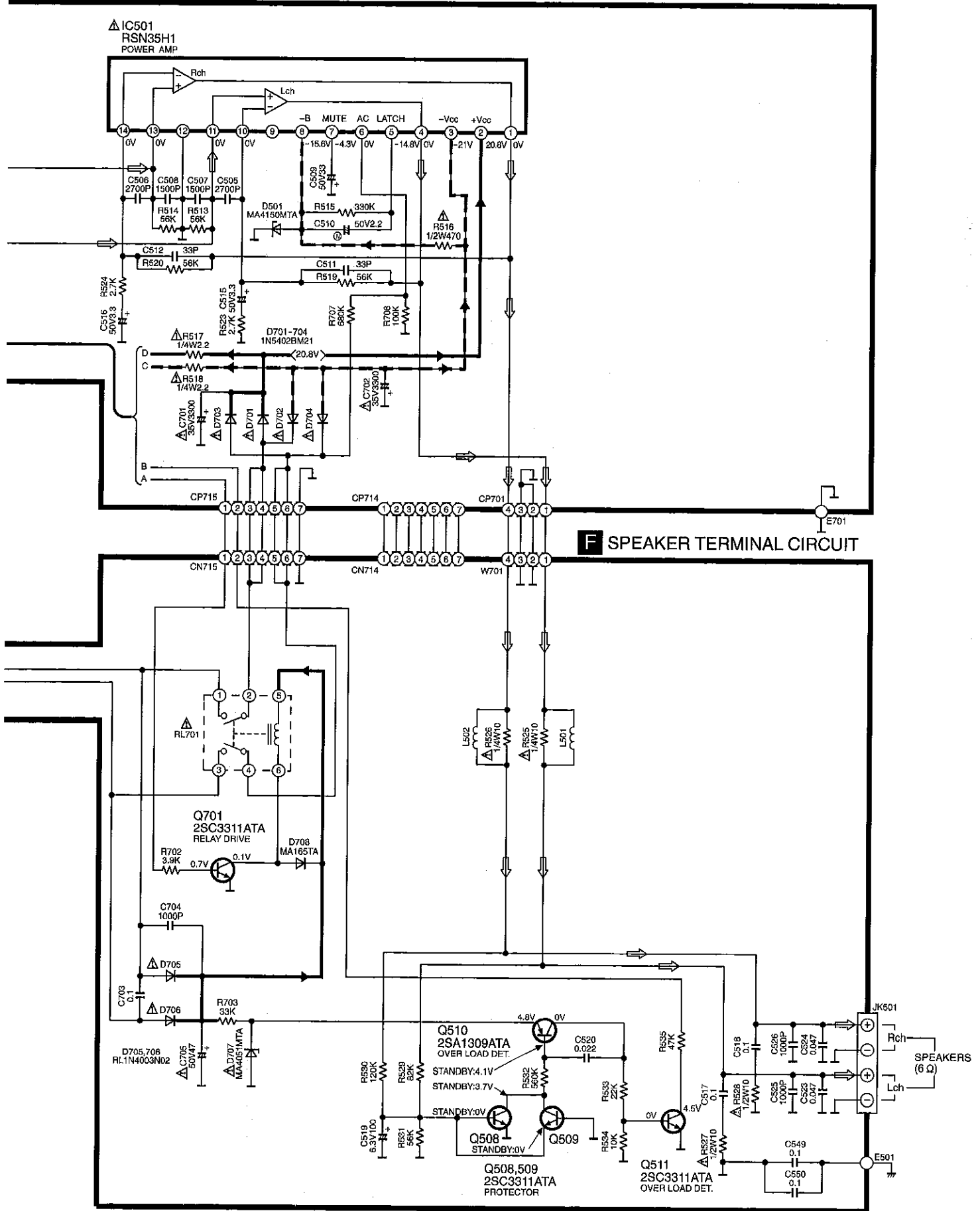
: POSITIVE VOLTAGE LINE
 : NEGATIVE VOLTAGE LINE
 : SOURCE SIGNAL LINE



D MAIN CIRCUIT

E POWER TRANSFORMER CIRCUIT

→ : POSITIVE VOLTAGE LINE → - - : NEGATIVE VOLTAGE LINE ⇨ : SOURCE SIGNAL LINE



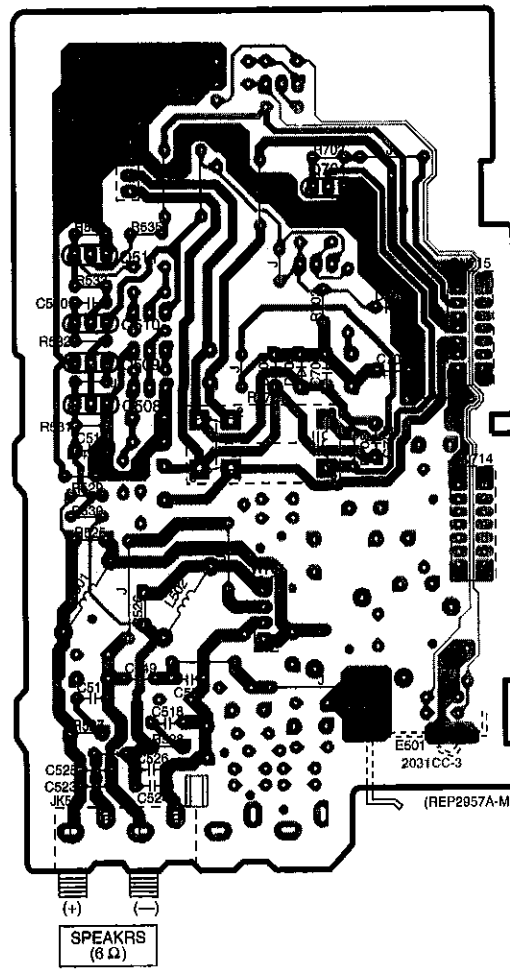
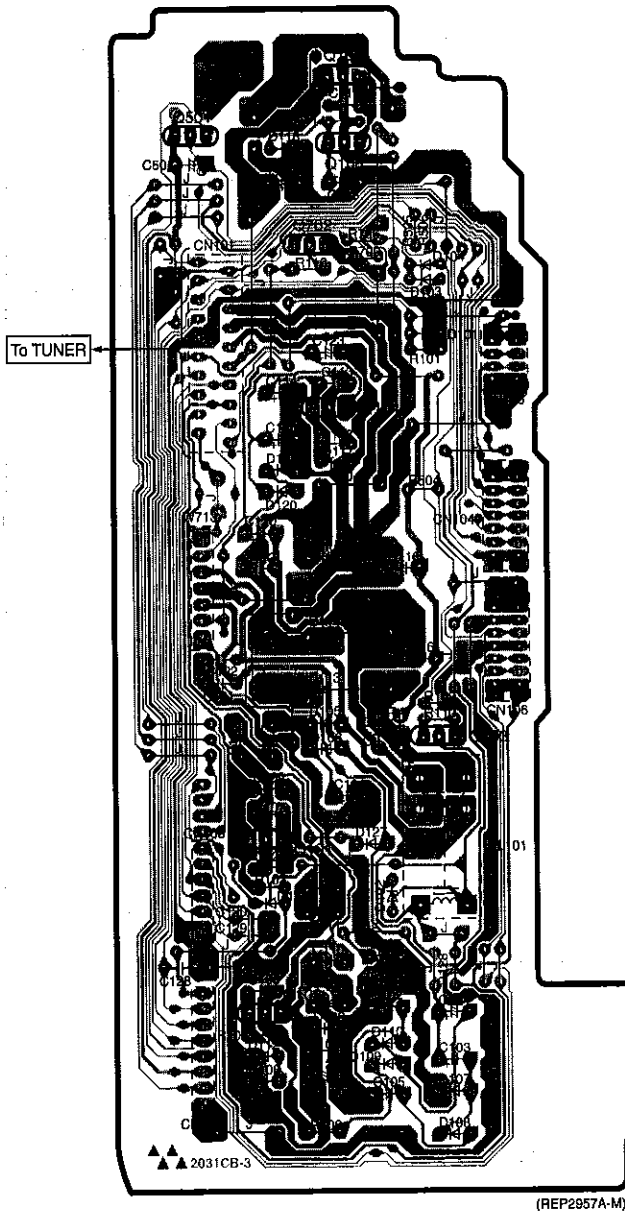
10 Printed Circuit Board Diagram

A B C D E F

1
2
3
4
5
6
7
8

A POWER SUPPLY P.C.B.

F SPEAKER TERMINAL P.C.B.



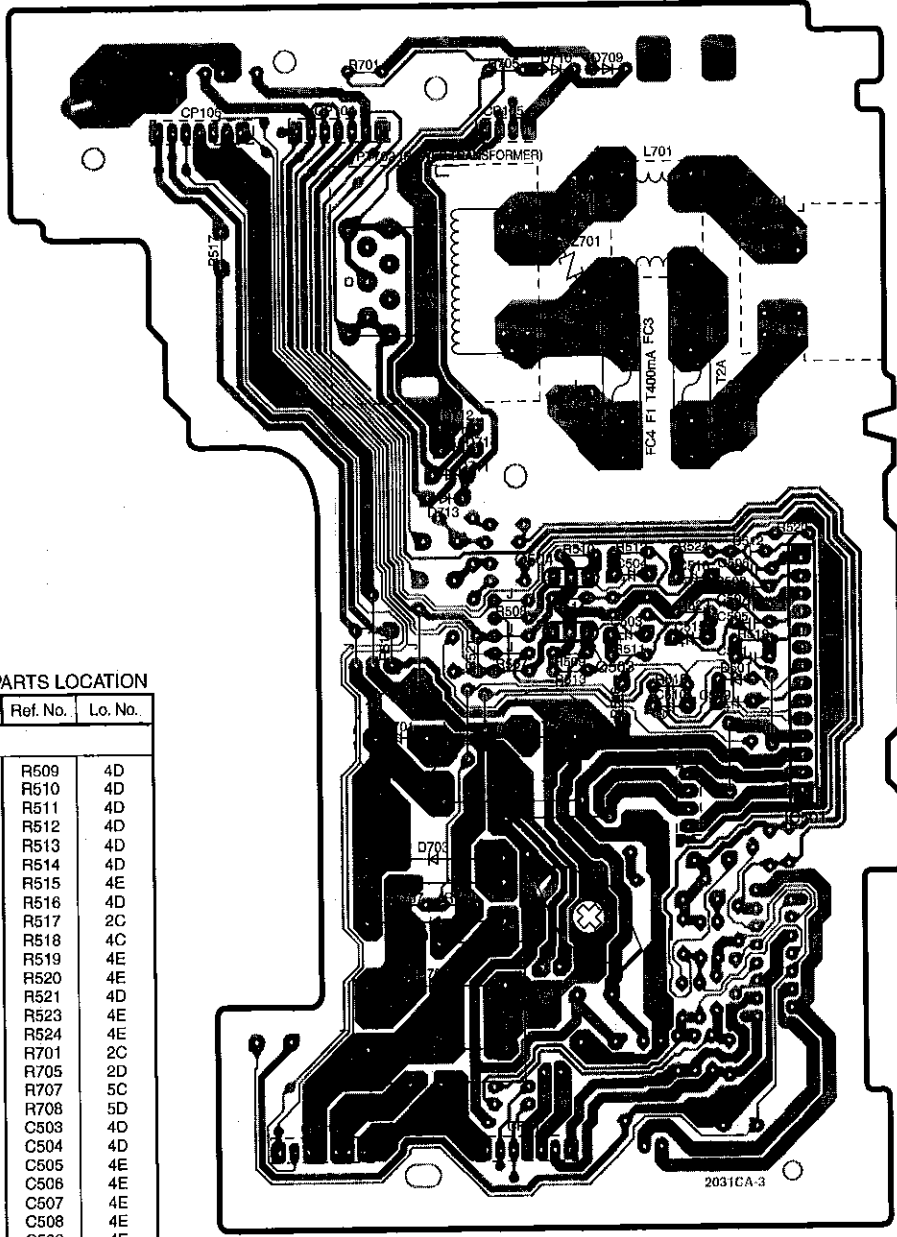
ELECTRICAL PARTS LOCATION

Ref. No.	Lo. No.	Ref. No.	Lo. No.	Ref. No.	Lo. No.	Ref. No.	Lo. No.	Ref. No.	Lo. No.	Ref. No.	Lo. No.	Ref. No.	Lo. No.	Ref. No.	Lo. No.	Ref. No.	Lo. No.
A POWER SUPPLY P.C.B.																	
Q101	5B	D104	2C	D115	4C	RL101	5C	R105	4B	R505	2C	C108	6B	C119	2B	C130	5B
Q102	5B	D105	4C	D116	4C	CN101	2B	R106	6C	R506	2C	C109	4B	C120	3B	C501	2B
Q103	4C	D106	4C	D117	3C	CN102	6B	R107	5B	R706	2C	C110	5C	C121	4B		
Q104	3C	D107	6C	D118	2B	CN103	5B	R108	6B	R709	2C	C111	4C	C122	4B		
Q105	1C	D108	6C	D119	5C	CN104	3C	R109	4C	C101	4C	C112	3B	C123	2C		
Q106	2C	D109	6C	D120	3B	CN105	3C	R110	4C	C102	5C	C113	3C	C124	6C		
Q501	2B	D110	6C	D123	6C	CN106	4C	R113	3C	C103	6C	C114	3B	C125	5B		
Q702	2C	D111	5C	D124	3B	W713	3B	R114	1C	C104	5C	C115	3C	C126	3B		
D101	2C	D112	6B	D125	5B	R101	2C	R116	2C	C105	6C	C116	3C	C127	5C		
D102	5C	D113	4C	D127	5C	R102	5B	R117	4B	C106	5B	C117	1C	C128	5B		
D103	2C	D114	4C	D128	5C	R104	6C	R504	3C	C107	5C	C118	2C	C129	5B		
F SPEAKER TERMINAL P.C.B.																	
Q508	3D	D705	3E	L502	4E	W701	4E	R527	4D	R532	3D	R703	2E	C523	5D	C550	4E
Q509	3D	D706	3E	RL701	3E	JK501	5D	R528	4E	R533	2D	C517	4D	C524	5E	C703	3F
Q510	3D	D707	2F	CN714	3F	E501	4F	R529	3D	R534	2D	C518	4E	C525	5D	C704	3E
Q511	2D	D708	3F	CN715	3F	R525	4D	R530	3D	R535	2E	C519	3D	C526	5E	C705	3F
Q701	2F	L501	4D	CN716	2E	R526	4E	R531	3D	R702	2F	C520	2D	C549	4E		

A B C D E F

1
2
3
4
5
6
7
8

D MAIN P.C.B.



AC IN
230V ... [E, EG, EP]
230-240V ... [EB]
50Hz

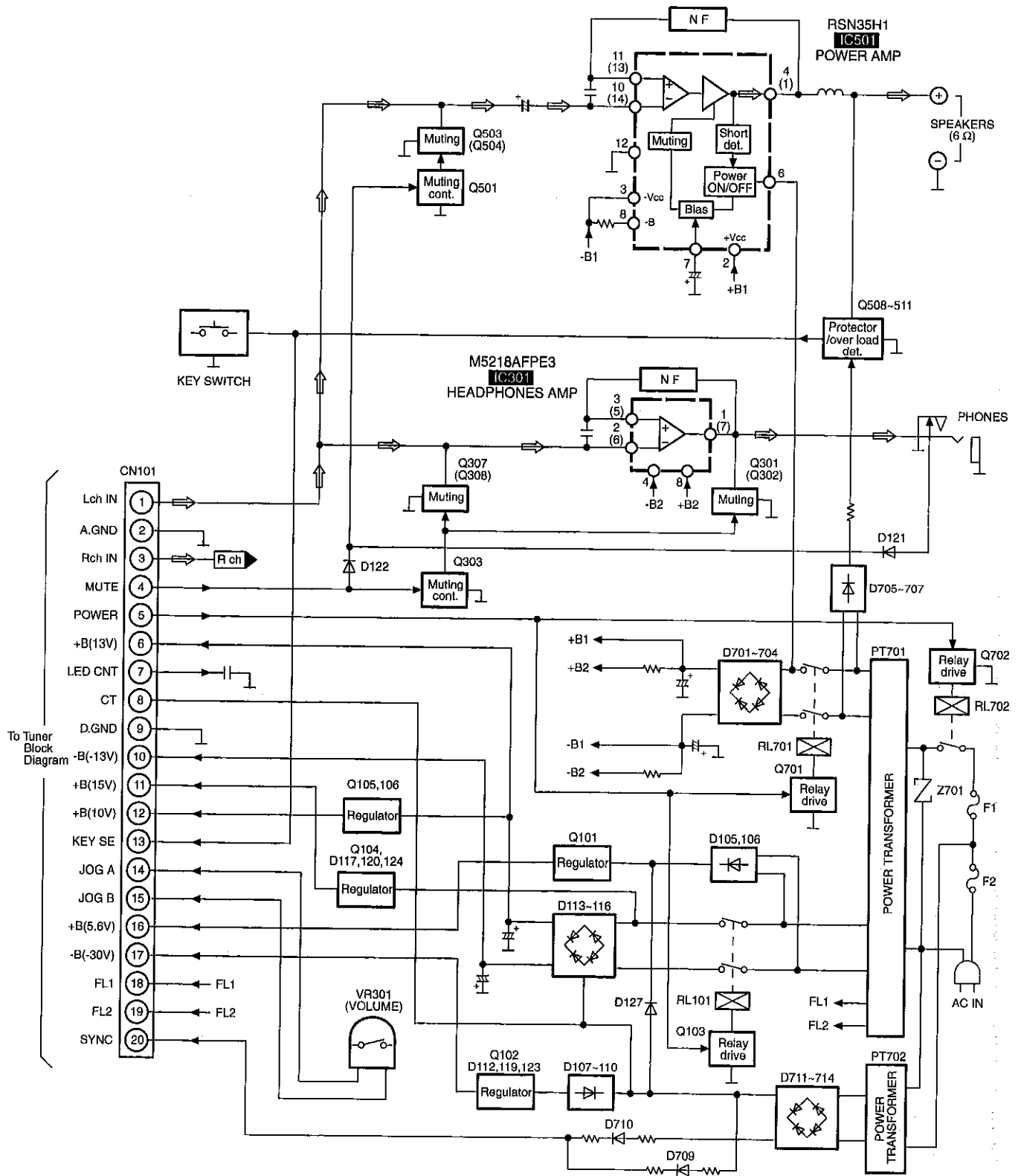
ELECTRICAL PARTS LOCATION

Ref. No.	Lo. No.	Ref. No.	Lo. No.
D MAIN P.C.B.			
IC501	4E	R509	4D
Q503	4D	R510	4D
Q504	4D	R511	4D
D501	4E	R512	4D
D701	5C	R513	4D
D702	6C	R514	4D
D703	5C	R515	4E
D704	6C	R516	4D
D709	2D	R517	2C
D710	2D	R518	4C
D711	3D	R519	4E
D712	3D	R520	4E
D713	4D	R521	4D
D714	3D	R523	4E
L701	2E	R524	4E
Z701	2D	R701	2C
F1	3D	R705	2D
F2	3E	R707	5C
E701	5D	R708	5D
CP104	2C	C503	4D
CP105	2D	C504	4D
CP106	2B	C505	4E
CP701	5E	C506	4E
CP714	6D	C507	4E
CP715	6C	C508	4E
JK701	2E	C509	4E
PT702	2C	C510	4E
FC1	3E	C511	4E
FC2	3E	C512	4E
FC3	3D	C515	4E
FC4	3D	C516	4E
R507	4D	C701	5C
R508	4D	C702	5D

(REP2957A-M)

2031CA-3

11 Block Diagram



Notes
 ● Signal line ⇨ : Source signal
 ● () indicates pin No. Right channel.

12 Wiring Connection Diagram

F SPEAKER
TERMINAL P.C.B.

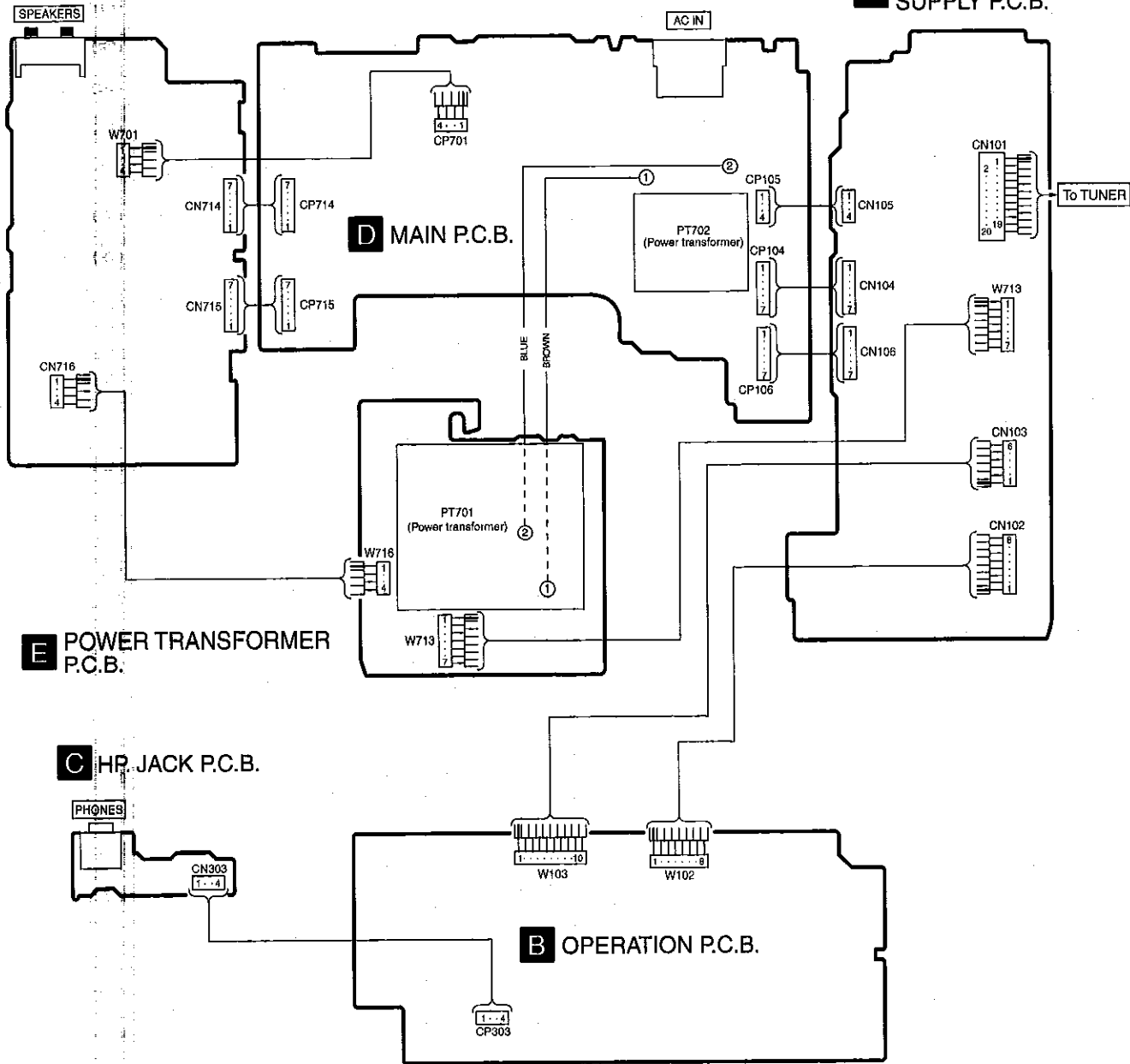
A POWER
SUPPLY P.C.B.

D MAIN P.C.B.

E POWER TRANSFORMER
P.C.B.

C HP JACK P.C.B.

B OPERATION P.C.B.



13 Replacement Parts List

Notes:

* Important safety notice:

Components identified by Δ mark have special characteristics important for safety.

Furthermore, special parts which have purposes of fire-retardant (resistors), high-quality sound (capacitors), low-noise (resistors), etc. are used.

When replacing any of components, be sure to use only manufacture's specified parts shown in the parts list.

* The parenthesized indications in the Remarks columns specify the areas.

Parts without these indications can be used for all areas.

* Remote Control Ass'y: Supply period for three years from terminal of production.

* Capacity values are in microfarads (μ F) unless specified otherwise, P=Pico-farads(pF), F=Farads (F)

* Resistance values are in ohms, unless specified otherwise, 1K=1,000 (OHM), 1M=1,000K (OHM)

* "<IA>, <IB>, <IC>, <ID>, <IE>" marks in Remarks indicate languages of instruction manuals.

[<IA>: Spanish/ Swedish, <IB>: English, <IC>: German /Italian/ French, <ID>: Netherlands/ Danish, <IE>: Russian/ Czech/ Polish]

*The markings (RTL) indicate that the Retention Time is limited for these items. After the discontinuation of these assemblies in production, the items will continue to be available for a specific period of time. The retention period of availability is dependant on the type of assembly, and in accordance with the laws governing part and product retention. After the end of this period, the assembly will no longer be available.

Ref. No.	Part No.	Part Name & Description	Pcs	Remarks
1	RHD30007-S	SCREW	4	
2	RKM0412-N	CABINET	1	
3	XTBS3+10JFZ1	SCREW	1	
4	REX0962	FLAT CABLE (20P)	1	
5	RMZ0339	ZNR COVER	1	
6	XTB3+8JFZ	SCREW	3	
7	RGN1777-K	NAME PLATE	1	(E) (EG)
7	RGN1777A-K	NAME PLATE	1	(EB)
8	RKA0114-K	FOOT	4	
8-1	RKA0083-K	CUSHION	4	
9	XTB3+5JFZ	SCREW	4	
10	RGG0173-N	FRONT PANEL	1	
11	RGL0480-Q	STANDBY INDICATOR	1	
12	RGF0774-N	SUB PANEL	1	
13	RGU1839-N	BUTTON	1	
14	RGW0335-N	KNOB	1	
16	RHD26016	SCREW	1	
17	RHN90001	NUT	1	
18	XTBS26+8J	SCREW	7	
19	XTBS3+8JFZ1	SCREW	7	
20	XTB3+12JFZ	SCREW	1	
21	XTB3+20JFZ	SCREW	3	
22	XTB3+6JFZ	SCREW	4	
23	XTW3+15T	SCREW	3	
A1	RAK-HDA25WH	REMOTE CONT. TRANSMITTER	1	(E)
A1-1	RKK0123-K	BATT. COVER (REMOTE CONT.)	1	(E)
A2	REE0499	SPEAKER CORD	2	(E)

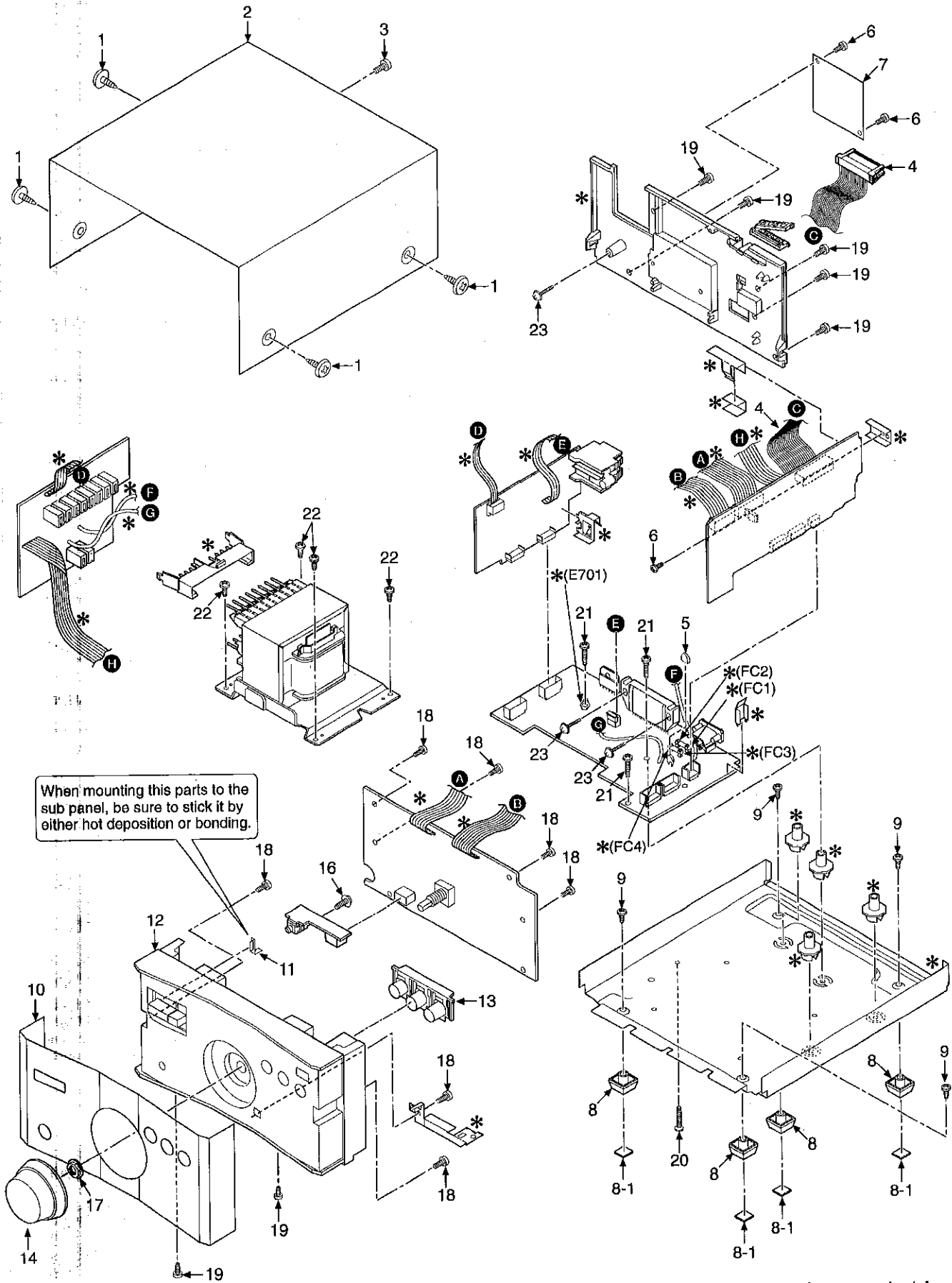
Ref. No.	Part No.	Part Name & Description	Pcs	Remarks
A4	RJA0019-X	AC POWER SUPPLY CORD	1	(E) (EG) Δ
A4	RJA0053-2X	AC POWER SUPPLY CORD	1	(EB) Δ
A5	RQA0117	WARRANTY CARD	1	
A6	RQCB0169	SERVICENTER LIST	1	
A7	RQT5311-E	INSTRUCTION MANUAL	1	(E) <IA>
A7	RQT5296-B	INSTRUCTION MANUAL	1	(EB) <IB>
A7	RQT5294-D	INSTRUCTION MANUAL	1	(EG) <IC>
A7	RQT5295-H	INSTRUCTION MANUAL	1	(EG) <ID>
A8	RSA0007	FM INDOOR ANTENNA	1	
A9	RSA0022-J	AM LOOP ANTENNA	1	
A10	RQCA0726	QUICK SET-UP GUIDE	1	(EB)
A11	SJP9009	AC PLUG ADAPTOR	1	(EB) Δ
C101	RCE1EM471BV	25V 470U	1	Δ
C102	ECA2AM470	100V 47U	1	Δ
C103	ECA1EAM101XB	25V 100U	1	Δ
C104,05	ECA1HM470	50V 47U	2	Δ
C106	ECBT1E103ZF	25V 0.01U	1	
C107	RCE1AKA470BG	10V 47U	1	
C108	RCE1VKA100BG	35V 10U	1	
C109	RCE1AKA470BG	10V 47U	1	
C110	ECEA1VKS470	35V 47U	1	
C111,12	ECKR1H103ZF5	50V 0.01U	2	
C113	ECBT1E103ZF	25V 0.01U	1	
C114	ECA1EAM101XB	25V 100U	1	
C115	ECA1EM222	25V 2200U	1	Δ
C116	RCE1EM471BV	25V 470U	1	Δ
C117	ECBT1E103ZF	25V 0.01U	1	
C118,19	ECA1EAK100XB	25V 10U	2	
C120	ECA1EAM101XB	25V 100U	1	Δ
C121,22	ECBT1E103ZF	25V 0.01U	2	
C123,24	ECEA1EKS4R7	25V 4.7U	2	
C125	ECBT1E103ZF	25V 0.01U	1	
C126	ECA1HM470	50V 47U	1	
C127	ECEA1CKS101	16V 100U	1	Δ
C128-30	ECBT1H101KB5	50V 100P	3	
C301,02	ECBT1H473ZF5	50V 0.047U	2	
C303	ECEA1AKS221	10V 220U	1	
C304	ECEA0JKS101	6.3V 100U	1	
C305,06	ECBT1E103ZF	25V 0.01U	2	
C307-10	ECBT1H101KB5	50V 100P	4	
C311,12	ECEA1HKS010	50V 1U	2	
C313,14	ECBT1H331KB5	50V 330P	2	
C315,16	ECEA1EKS4R7	25V 4.7U	2	
C317,18	ECBT1E103ZF	25V 0.01U	2	
C319	ECBT1H101KB5	50V 100P	1	
C501	ECEA1CKN4R7	16V 4.7U	1	
C503,04	ECA1HAK3R3XB	50V 3.3U	2	
C505,06	ECBT1C272KR5	16V 2700P	2	
C507,08	ECBT1C152KR5	16V 1500P	2	
C509	ECEA1HKA330B	50V 33U	1	
C510	ECEA1HNS2R2	50V 2.2U	1	
C511,12	ECBT1H330J5	50V 33P	2	
C515,16	ECA1HAK3R3XB	50V 3.3U	2	
C517,18	ECBT1H104ZF5	50V 0.1U	2	
C519	ECEA0JKS101	6.3V 100U	1	
C520	ECBT1E223ZF	25V 0.022U	1	
C523,24	ECBT1H473ZF5	50V 0.047U	2	
C525,26	ECBT1H102KB5	50V 1000P	2	
C549,50	ECBT1H104ZF5	50V 0.1U	2	
C701,02	ECA1VM332	35V 3300U	2	Δ
C703	ECQE1104KF3	100V 0.1U	1	
C704	ECKR2H102ZF5	500V 1000P	1	
C705	ECA1HM470	50V 47U	1	Δ
CN101	RJS2A5520-1	CONNECTOR (20P)	1	
CN102	RJS8T6ZA	CONNECTOR (8P)	1	

Ref. No.	Part No.	Part Name & Description	Pcs	Remarks
CN103	RJS6T6ZA	CONNECTOR (6P)	1	
CN104	RJU057W007	CONNECTOR (7P)	1	
CN105	RJU057W004	CONNECTOR (4P)	1	
CN106	RJU057W007	CONNECTOR (7P)	1	
CN303	RJU057W004	CONNECTOR (4P)	1	
CN701-10	RJS1A1101T1	CONNECTOR (1P)	10	
CN714, 15	RJU057W007	CONNECTOR (7P)	2	
CN716	RJS4T6ZA	CONNECTOR (4P)	1	
CP104	RJT057W007-1	CONNECTOR (7P)	1	
CP105	RJT057W004-1	CONNECTOR (4P)	1	
CP106	RJT057W007-1	CONNECTOR (7P)	1	
CP303	RJT057W004-1	CONNECTOR (4P)	1	
CP701	RJS1A6604	CONNECTOR (4P)	1	
CP714, 15	RJT057W007-1	CONNECTOR (7P)	2	
D101	MA4051M	DIODE	1	
D102-04	MA165	DIODE	3	
D105-10	RL1N4003N02	DIODE	6	△
D111	MA4062M	DIODE	1	△
D112	MA4240H	DIODE	1	△
D113, 14	1N5402BF	DIODE	2	△
D115, 16	RL1N4003N02	DIODE	2	△
D117	MA4160M	DIODE	1	△
D118	MA4110M	DIODE	1	△
D119, 20	RL1N4003N02	DIODE	2	△
D121, 22	MA165	DIODE	2	
D123, 24	RL1N4003N02	DIODE	2	△
D125	MA165	DIODE	1	
D127	RL1N4003N02	DIODE	1	△
D128	MA165	DIODE	1	
D301, 02	MTZJ7R5CTA	DIODE	2	△
D306	SLR-325VC	LED	1	
D307	MA165	DIODE	1	
D312, 13	MTZJ7R5CTA	DIODE	2	△
D501	MA4150M	DIODE	1	
D701-04	1N5402BF	DIODE	4	△
D705, 06	RL1N4003N02	DIODE	2	△
D707	MA4051M	DIODE	1	△
D708-10	MA165	DIODE	3	
D711-14	RL1N4003N02	DIODE	4	△
D715	MA165	DIODE	1	
F1	XBA2C04T80	FUSE T400MA	1	△
F2	XBA2C20T80	FUSE T2A	1	△
FP701, 02	R5FMB40KT-L	FUSE PROTECTOR	2	△
IC301	M5218AFPE3	IC	1	
IC501	R9N35H1-P	IC	1	△
JK301	RJJ37TN01-2C	JACK HEADPHONES	1	
JK501	RJR0054B	JACK SPEAKER	1	
JK701	SJS9236	JACK AC INLET	1	△
L501, 02	SLQY07G-40	COIL CHOKE	2	
L701	RLQZ371	COIL	1	△
P1	RPF0139	PROTECTION BAG (F. B.)	1	
P2	RPG4717	PACKING CASE (AMPLIFIER)	1	
P3	RPN1265	CUSHION	1	
P4	RPG4755	PACKING CASE (SYSTEM)	1	(E)
P4	RPG4725	PACKING CASE (SYSTEM)	1	(EB)
P4	RPG4724	PACKING CASE (SYSTEM)	1	(EG)
P5	RPQ1030	PAD	1	
P6	SPP740-1	PROTECTION BAG	1	
PCB1	REP2957A-M	MAIN P. C. B.	1	(RTL)
PCB2	REP2958A-S	OPERATION P. C. B.	1	(RTL)

Ref. No.	Part No.	Part Name & Description	Pcs	Remarks
PT701	RTP2M5B020	POWER TRANSFORMER	1	(EB) △
PT701	RTP2M5E022	POWER TRANSFORMER	1	(E) (EG) △
PT702	RTP1I3E001	POWER TRANSFORMER	1	△
Q101	2SD2374PQAU	TRANSISTOR	1	△
Q102	2SB621A-R	TRANSISTOR	1	△
Q103	2SC3311ATA	TRANSISTOR	1	
Q104	2SC3940AQSTA	TRANSISTOR	1	△
Q105	2SD2374PQAU	TRANSISTOR	1	△
Q106	2SC3327A	TRANSISTOR	1	△
Q301, 02	2SC3327A	TRANSISTOR	2	
Q303	UN4115	TRANSISTOR	1	
Q307, 08	2SC3327A	TRANSISTOR	2	
Q501	UN4115	TRANSISTOR	1	
Q503, 04	2SC3327A	TRANSISTOR	2	
Q508, 09	2SC3311ATA	TRANSISTOR	2	
Q510	2SA1309ATA	TRANSISTOR	1	
Q511	2SC3311ATA	TRANSISTOR	1	
Q701, 02	2SC3311ATA	TRANSISTOR	2	
R101	ERDS2FJ103	1/4W 10K	1	
R102	ERDS2FJ331	1/4W 330	1	
R104	ERDS2FJ101	1/4W 100	1	
R105, 06	ERDS2FJ100	1/4W 10	2	△
R107	ERDS2FJ222	1/4W 2.2K	1	
R108	ERDS2FJ472	1/4W 4.7K	1	
R109	ERDS2FJ473	1/4W 47K	1	
R110	ERDS2FJ392	1/4W 3.9K	1	
R113	ERDS2FJ392	1/4W 3.9K	1	
R114	ERDS2FJ102	1/4W 1K	1	
R115	ERDS2FJ472	1/4W 4.7K	1	
R116	ERD25FVJ560T	1/4W 56	1	△
R117	ERD2FCG100	1/4W 10	1	△
R118-20	ERDS2FJ102	1/4W 1K	3	
R301	ERDS2FJ821	1/4W 820	1	
R302	ERDS2FJ102	1/4W 1K	1	
R303	ERDS2FJ122	1/4W 1.2K	1	
R306	ERDS2FJ152	1/4W 1.5K	1	
R308	ERDS2FJ102	1/4W 1K	1	
R309, 10	ERDS1FJ221	1/2W 220	2	△
R313, 14	ERDS2FJ121	1/4W 120	2	
R315-18	ERDS2FJ470	1/4W 47	4	
R319, 20	ERDS2FJ563	1/4W 56K	2	
R321, 22	ERDS2FJ682	1/4W 6.8K	2	
R323, 24	ERDS2FJ123	1/4W 12K	2	
R331, 32	ERDS2FJ472	1/4W 4.7K	2	
R333, 34	ERDS2FJ121	1/4W 120	2	
R336	ERDS2FJ121	1/4W 120	1	
R337-40	ERDS2FJ470	1/4W 47	4	△
R504	ERDS2FJ105	1/4W 1M	1	
R505, 06	ERDS2FJ222	1/4W 2.2K	2	
R507-10	ERDS2FJ103	1/4W 10K	4	
R511, 12	ERDS2FJ101	1/4W 100	2	
R513, 14	ERDS2FJ563	1/4W 56K	2	
R515	ERDS2FJ334	1/4W 330K	1	
R516	ERDS1FJ471	1/2W 470	1	△
R517, 18	ERDS2FJ2R2	1/4W 2.2	2	△
R519, 20	ERDS2FJ563	1/4W 56K	2	
R521	ERDS2FJ684	1/4W 680K	1	
R523, 24	ERDS2FJ272	1/4W 2.7K	2	
R525, 26	ERDS2FJ100	1/4W 10	2	△
R527, 28	ERDS1FJ100	1/2W 10	2	△
R529	ERDS2FJ823	1/4W 82K	1	
R530	ERDS2FJ124	1/4W 120K	1	
R531	ERDS2FJ563	1/4W 56K	1	
R532	ERDS2FJ564	1/4W 560K	1	
R533	ERDS2FJ223	1/4W 22K	1	
R534	ERDS2FJ103	1/4W 10K	1	
R535	ERDS2FJ473	1/4W 47K	1	
R701	ERDS2FJ102	1/4W 1K	1	
R702	ERDS2FJ392	1/4W 3.9K	1	
R703	ERDS2FJ333	1/4W 33K	1	
R705	ERDS2FJ102	1/4W 1K	1	

Ref. No.	Part No.	Part Name & Description	Pcs	Remarks
R706	ERDS2FJ392	1/4W 3.9K	1	
R707	ERDS2FJ684	1/4W 680K	1	
R708	ERDS2FJ104	1/4W 100K	1	
R709	ERDS2FJ473	1/4W 47K	1	
RL101	RSY0013M-0	RELAY	1	△
RL701	RSY0013M-0	RELAY	1	△
RL702	RSY0040M-0	RELAY	1	△
S301-05	EVQ11G05R	SW PUSH	5	
VR301	EVEKD2F3024B	V.R. VOLUME	1	
Z701	ERZV10V511CS	ZNR	1	△

14 Cabinet Parts Location



Note : We do not supply those items of parts marked *.

15 Packaging

